

## LDC-0.4/2.2-30N

Product: Directional Coupler 30DB

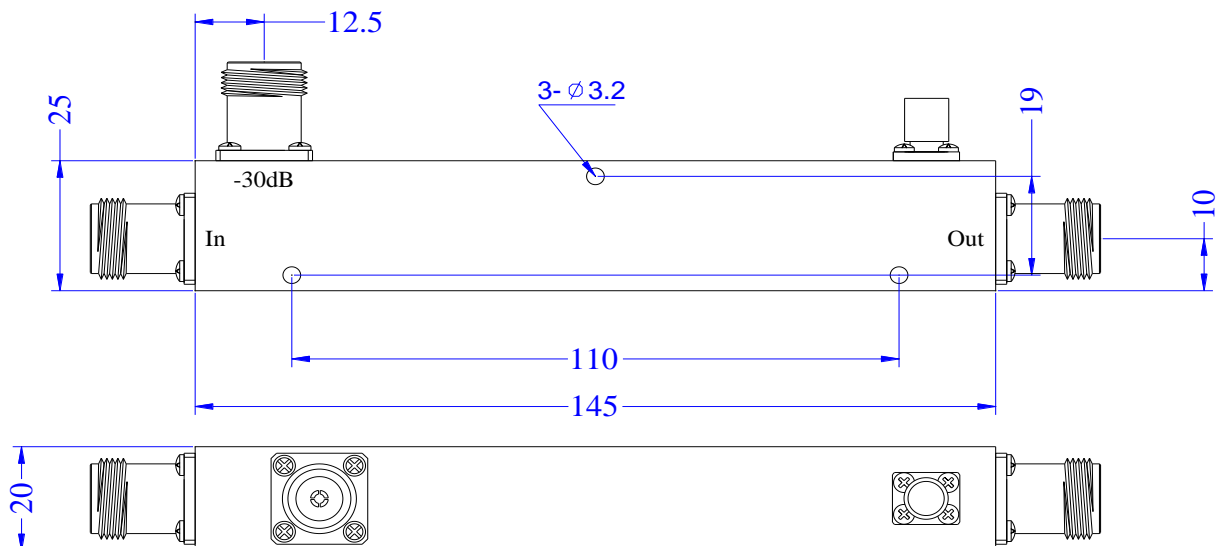
Part Number:

No.	Parameter	Minimum	Typical	Maximum	Units
1	Frequency range	0.4	-	2.2	GHz
2	Nominal Coupling	-	30	-	dB
3	Coupling Accuracy	-	-	±1	dB
4	Coupling Flatness to Frequency	-	-	±1	dB
5	Insertion Loss	-	-	0.8	dB
6	Directivity	18	-	-	dB
7	VSWR Primary	-	-	1.3	-
	VSWR Secondary	-	-	1.3	-
8	Power Handling	-	-	50	Watts
9	Operating Temperature Range	-45	-	+85	°C
10	Impedance	-	50	-	Ω

### Outline Drawing:

All Dimensions in mm

All Connectors: N-Female



成都利德尔科技有限公司 ChengDu Leader Microwave Technology Co.,Ltd

电话: 028-65199117 传真: 028-65199116

<http://www.leader-mw.com> Leader-mw@hotmail.com

TEL: +86-28-65199117 FAX: +86-28-65199116

Add: 中国 成都市成华区华翰路 89 号 610000

No.89,Huahan Road, chenghua Zone Chengdu, Sichuan China Zip Code:610000



ISO9001:2008 质量认证  
ISO14001:2004 环境认证

技术文件 Technical Specifications Rev:A0

---

成都利德尔科技有限公司 ChengDu Leader Microwave Technology Co.,Ltd

电话: 028-65199117 传真: 028-65199116

http://www.leader-mw.com Leader-mw@hotmail.com

TEL: +86-28-65199117 FAX: +86-28-65199116

Add: 中国 成都市成华区华翰路 89 号 610000

No.89,Huahan Road, chenghua Zone Chengdu, Sichuan China Zip Code:610000